



R&S® RT-ZISO ISOLATED PROBING SYSTEM

The next ground breaking probe solution



The R&S® RT-ZISO isolated probing system sets new standards for electrical measurements with exceptional accuracy, sensitivity and speed. The innovative tool is vital to the development of next-generation power electronics, particularly those using wide bandgap materials such as SiC and GaN.

- ▶ 100 MHz to 1 GHz bandwidth (upgradeable)
- ▶ > 90 dB (> 30000:1) CMRR at 1 GHz
- ▶ ±3000 V differential input and offset range
- ▶ ±60 kV CMRR range
- ▶ ±10 mV sensitive input range
- ▶ Dual connectivity with Rohde&Schwarz probe interface or SMA

Ideal for:

Switching converters with WBG devices	Double-pulse testing
Shunt measurements	Inverter design and motor drive analysis

Key specifications

	100 MHz	200 MHz	350 MHz	500 MHz	1 GHz
Bandwidth	100 MHz	200 MHz	350 MHz	500 MHz	1 GHz
Rise time (10% to 90%)	< 4 ns	< 2ns	< 1.14 ns	< 800 ps	< 450 ps
Flatness	3%				
CMRR	DC: 145 dB; 1 MHz: 145 dB; 100 MHz: 110 dB; 200 MHz: 100 dB; 500 MHz: 100 dB; 1 GHz: 90 dB				
Input voltage range	±0.01 V to ±30 V (with tips goes up to ±3000 V)				
Offset range	±30 V				
Operating voltage window	each signal socket to ground: ±60 kV (CM range): ▶ in combination with R&S® ZISO-Zxxx: 1000 V (RMS) CAT III ▶ in combination with R&S® ZISO-Z301: 300 V (RMS) CAT III				
Thermal drift	±0.15%/°C (meas.)				
Warranty	3 years				

Probe tips	MMCX	Square pin (SQPIN)	Wide square pin (WSQPIN)	Isolated browser
------------	------	--------------------	--------------------------	------------------



	R&S® ZISO-Z101	R&S® ZISO-Z201	R&S® ZISO-Z202	R&S® ZISO-Z203	R&S® ZISO-Z301	R&S® ZISO-Z302
Attenuation	1.5x	10x	25x	100x	100x	1000x
DC loading	50 Ω	10 MΩ 3.7 pF	10 MΩ 3.7 pF	40 MΩ 3.2 pF	10 MΩ 11 pF	100 MΩ 4.6 pF
Maximum input	8 V (RMS)	300 V (RMS)	750 V (RMS)	2500 V (RMS)	300 V (RMS)	3540 V (RMS)
Temperature range	0°C to +40°C					



For options, prices and more information, visit www.rohde-schwarz.com/RT-ZISO



Safe attach probe tips

- ▶ Quick lever to secure and release the probe tips to easily switch tips without tedious set up
- ▶ Equipment has no exposed metal parts for safe usage and protection in line with CAT III 1000 V ratings

Ordering information	Type	Order No.
Step 1: Base model		
Isolated probing system ¹⁾	R&S®RT-ZISO	1804.5000K02
Step 2: Choose your cable length		
3 m optical fiber cable	R&S®ZISO-B403	1804.5017.02
10 m optical fiber cable	R&S®ZISO-B410	1804.5023.02
Step 3: Choose your system bandwidth		
100 MHz option	R&S®ZISO-B901	1804.5030.02
200 MHz option	R&S®ZISO-B902	1804.5046.02
350 MHz option	R&S®ZISO-B903	1804.5052.02
500 MHz option	R&S®ZISO-B905	1804.5069.02
1 GHz option	R&S®ZISO-B910	1804.5075.02

¹⁾ Included: carrying case, operating manual, probe stand, Rohde&Schwarz probe interface cable, SMA cable, SMA to BNC adapter and an external DC power supply for standalone operation

Rohde & Schwarz GmbH & Co. KG

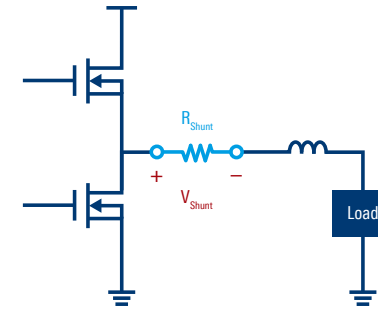
www.rohde-schwarz.com | www.rohde-schwarz.com/support | www.training.rohde-schwarz.com
 R&S® is a registered trademark of Rohde & Schwarz | Trade names are trademarks of the owners
 R&S®RT-ZISO Isolated Probing System
 PD 3673.1782.32 | Version 01.00 | November 2024 (sk)
 Data without tolerance limits is not binding | Subject to change
 © 2024 Rohde & Schwarz | 81671 Munich, Germany



Flexible connection

- ▶ Direct connection to a Rohde&Schwarz oscilloscope with probe interface to seamlessly control probe settings on an instrument
- ▶ Supports connection to any oscilloscope with BNC or SMA interface; probe with a touchscreen display for more complex setting controls

Ordering information	Type	Order No.
Step 4: Choose your probe tips		
MMCX 1.5x 50 Ω, tip module, 8 V (RMS), ±45 V (peak), 1 kV (RMS) CAT III	R&S®ZISO-Z101	1803.4100.02
MMCX 10x 10 MΩ, tip module, ±300 V (peak), 1 kV (RMS) CAT III	R&S®ZISO-Z201	1803.4200.02
SQPIN 25x 10 MΩ, tip module, ±750 V (peak), 1 kV (RMS) CAT III	R&S®ZISO-Z202	1803.4300.02
WSQPIN 100x 40 MΩ, tip module, ±3 kV (peak), 1 kV (RMS) CAT III	R&S®ZISO-Z203	1803.4400.02
Browser 10x 10 MΩ, tip module, ±300 V (peak), 300 V (RMS) CAT III	R&S®ZISO-Z301	1803.4500.02
Browser 100x 100 MΩ, tip module, ±3 kV (peak), 1 kV (RMS) CAT III	R&S®ZISO-Z302	1803.4600.02



High sensitivity with best thermal stability

- ▶ Every R&S®RT-ZISO probe has the frontend equivalent of the MXO oscilloscopes for best signal conditioning with high sensitivity and low noise
- ▶ Small signal detection best for small shunt current measurements and power ripple analysis

Ordering information	Type	Order No.
Step 5: Choose your accessories		
MMCX socket to dual square pin	R&S®RT-ZAMXSQ	1803.1647.02
MMCX socket to U.F.L adapter	R&S®RT-ZAMXUFL	1803.1676.02
MMCX socket to solder-in cable HT	R&S®RT-ZAMXHTS	1803.1660.02
MMCX socket to solder-in pad flex HT	R&S®RT-ZAMXPAD	1803.1653.02
When needed: Choose your future bandwidth upgrade		
200 MHz upgrade	R&S®ZISO-B202	1804.5146.02
350 MHz upgrade	R&S®ZISO-B203	1804.5152.02
500 MHz upgrade	R&S®ZISO-B205	1804.5169.02
1 GHz upgrade	R&S®ZISO-B210	1804.5175.02

Thurlby Thandar Instrument Distribution
 Glebe Road, Huntingdon, PE29 7DR, UK
 +44 (0)1480 412 451
sales@ttid.co.uk
www.ttid.co.uk

